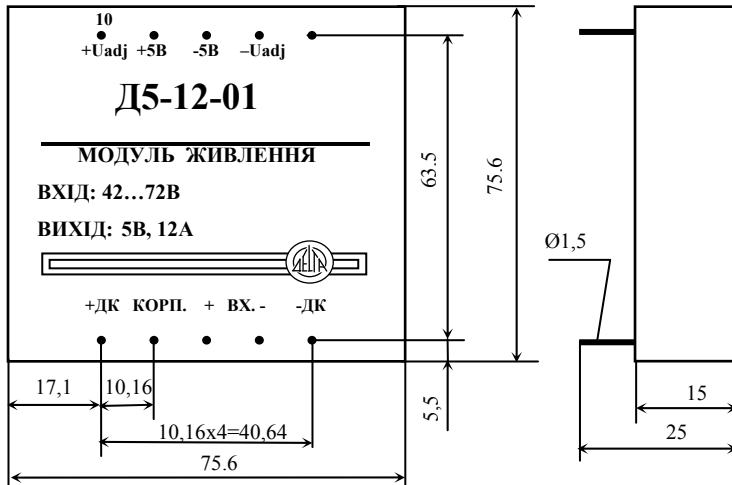


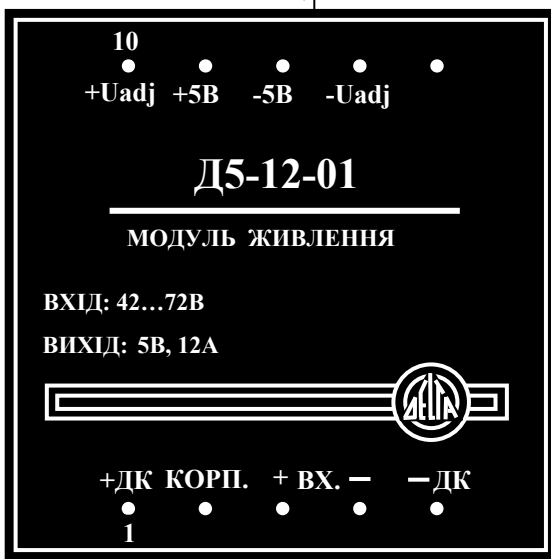
# DC/DC converter D5-12-01(5V,12A)



DC/DC module converter D5-12-01 designed to supply any equipment, including work as part of digital ATS.

Excellent features:

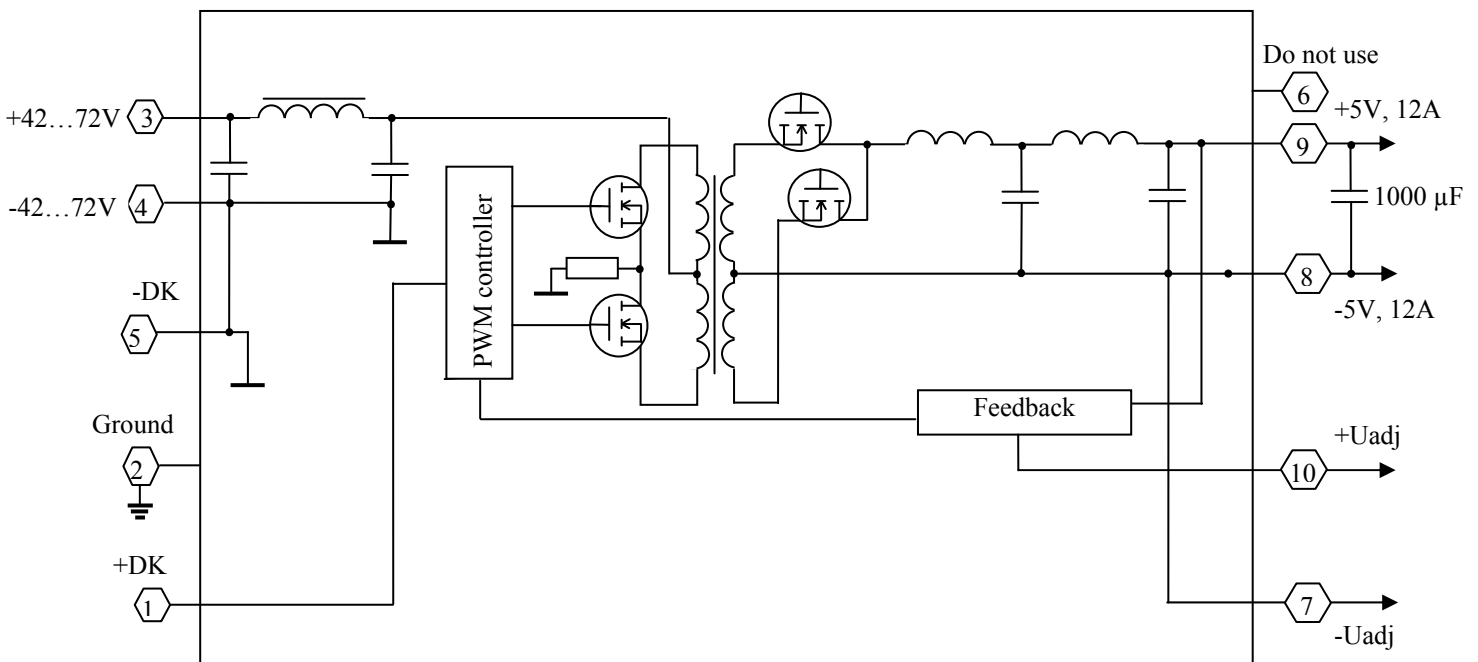
The module is protected against short circuit and automatically directed to the stabilization of current at current, the larger of the set, and vice versa



## Technical specifications:

Input voltage, V	42...72
Output voltage, V	±5
Output current (max), A	±12
Output power, W	60
Efficiency, %	90
Output voltage ripple, mV	60
Instability output voltage, %	1,2
Operating temperature range, °C	-40...+85
Withstand voltage (input to output) ≥1kV	
Clock frequency, kHz	66
Warranty, years –	5
Dimensions, mm	75.6x75.6x15
Weight, g	200

## Numbering scheme and the inclusion of the DC/DC module D5-12-01



For further details, please call:

KP DELTA, 38 Tekstylna st, Ternopil, Ukraine, 46010 Tel /Fax (+38 0352) 255 852,  
tel (+38 0352) 430 386 E-mail: [delta@delta.te.ua](mailto:delta@delta.te.ua), [www.delta.ua](http://www.delta.ua), [www.delta.te.ua](http://www.delta.te.ua)