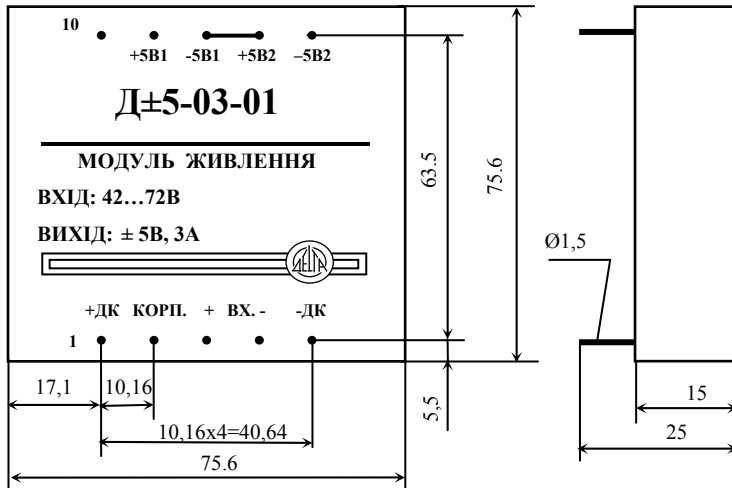


DC/DC converter D±5V; 3A



DC/DC module converter D±5V-03-01 designed to supply any equipment, including work as part of digital ATS.

Excellent features:

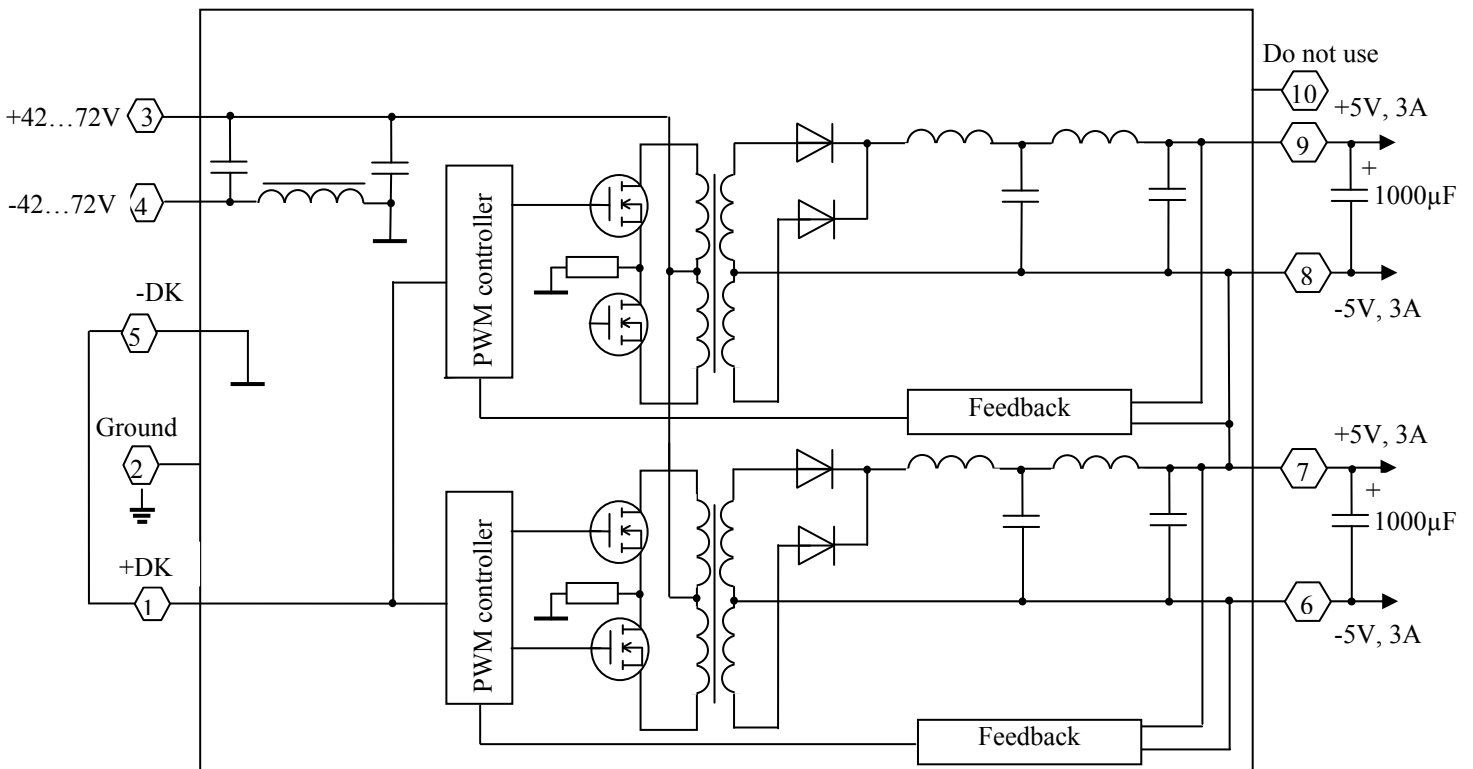
Two independent channels, the possibility of continuous operation at maximum load.

Technical specifications:

Input voltage, V	42...72
Output voltage, V	±5
Output current (max), A	±3
Output power, W	30
Efficiency, %	85
Output voltage ripple, mV	40
Instability output voltage, %	1
Operating temperature range, °C	-40...+85
Withstand voltage (input to output) ≥1kV	
Clock frequency, kHz	200
Warranty, years –	10
Dimensions, mm	75.6x75.6x15
Weight, g	155



Numbering scheme and the inclusion of the DC/DC module D ± 5V- 3A-01



For further details, please call:

KP DELTA, 38 Tekstylna st, Ternopil, Ukraine, 46010 Tel /Fax (+38 0352) 255 852,

tel (+38 0352) 430 386 E-mail: delta@delta.te.ua , www.delta.ua , www.delta.te.ua